

APPETIZERS

EDAMAME-----	\$2.50
STEAMED SOYBEAN	
SHUMAI-----	\$4.50
STEAMED SHRIMP, CRAB, OR PORK DUMPLING	
CRAB SUNOMONO-----	\$5.00
IMITATION CRAB W/SWEET VINEGAR SAUCE. OR 5PCS YOUR CHOICE OF FISH ADD \$3	
SPICY CRAB SALAD-----	\$6.00
IMITATION CRAB W/ KIMCHEE SAUCE. OR 5PCS YOUR CHOICE OF FISH ADD \$3	
KANISU-----	\$7.50
IMITATION CRAB, AVOCADO, MASAGO WRAPPED W/ SHAVED CUCUMBER W/PONZU SAUCE	
NARUTOMAKI-----	\$9.95
YOUR CHOICE OF FISH ,AVOCADO,MASAGO WRAPPED W/ SHAVED CUCUMBER W/ PONZU SAUCE	
TUNA TATAKI-----	\$8.50
THIN SLICED SEARD TUNA ,SCALLION W/PONZU SAUCE	

SMALL ROLL

YOUR CHOICE OF FISH OR VEGETABLE (IKURA \$5)-----	\$3.50
--	--------

HAND ROLL

WE CAN MAKE ANY HAND ROLL FROM-----	\$3.50
--	--------

ADDITIONAL for Roll

SP MAYO,EEL SAUCE,KIMCHEE SAUCE-	\$0.25
DRESSING,(GINGER OR SOY MUSTARD),	
WASABI SEASONING-----	\$0.50
AVOCADO, CREAM CHEESE, ASPARAGUS,	
TOMATO, TEMPURA CRUNCH-----	\$0.50
SOY PAPER-----	\$1.00
MASAGO, KANPYO-----	\$1.00
SHIITAKE, PICKLED BURDOCK -----	\$1.00
CHANGE TO BROWN RICE-----	\$1.00

NIGIRI SUSHI A LA CARTE

IMITATION CRAB-----	\$1.50
TAMAGO-----	\$1.50
INARI-----	\$1.50
MASAGO-----	\$1.50
TUNA-----	\$1.75
SALMON-----	\$1.75
SQUID-----	\$1.75
SHRIMP-----	\$1.75
SNAPPER (WHITE FISH)-----	\$1.75
ESCOLAR(WHITE TUNA)-----	\$1.75
HAMACHI-----	\$2.00
EEL-----	\$2.00
IKURA-----	\$2.75

SALAD

GREEN SALAD-----	\$1.50
SEAWEED SALAD--(S)\$1.50 (L)\$2.50	
HIJIKI SALAD-----	\$3.00
SQUID SALAD-----	\$3.50
SEAFOOD SALAD-----	\$7.00
DOUBLE SIZE GREEN SALAD WITH SHRIMP AND CRAB WITH GINGER DRESSING	
SASHIMI SALAD-----	\$10.00
DOUBLE SIZE GREEN SALAD WITH SLICED FISH ON TOP (TUNA, SALMON, SNAPPER) WITH SOY MUSTARD DRESSING	

SOUP

MISO SOUP-----	\$1.00
FISH BROTH & SOY BEAN PASTE WITH TOFU, SCALLION, SEAWEED	

RICE

WHITE-----	\$1.00
SUSHI-----	\$1.50
BROWN-----	\$1.50

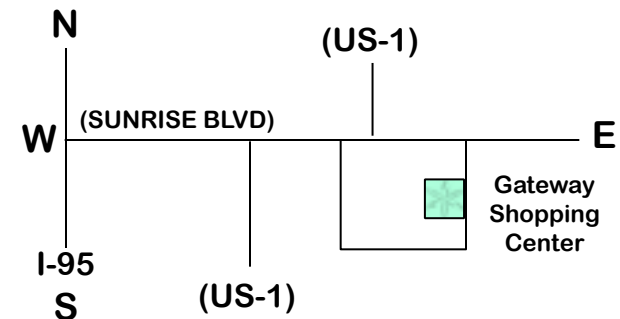
SASAYA

JAPANESE MARKET

SUSHI TO GO

SASAYAJAPANESE.COM
TEL : (954) 761-8010

1956 E. SUNRISE BLVD.
(GATEWAY SHOPPING CENTER)
Ft. LAUDERDALE, FL 33304



STORE OPEN 6 DAYS A WEEK
MON 10AM-8PM
TUE-SAT 10AM-9PM
SUNDAY CLOSED

SUSHI OPEN TUE-SAT 11 AM-9PM

WE ACCEPT CREDIT CARDS
VISA-MASTERCARD-AMEX

COMBINATIONS

COME WITH ONE SIDE : GREEN SALAD,
SEAWEEED SALAD (SMALL), MISO SOUP,
OR SOFT DRINK (ANY KIND LESS THAN \$1)

SMALL MAKIMONO COMBO-----\$6.95

CALIFORNIA ROLL AND SMALL ROLL (IKURA ADD \$2)

MEDIUM MAKIMONO COMBO--- \$10.95

CALIFORNIA ROLL AND MEDIUM ROLL

SASHIMI COMBO (6PCS) ----- \$9.95

2-TUNA, 2-SALMON AND 2-HAMACHI

NIGIRI COMBO (6PCS)----- \$8.00

TUNA, HAMACHI, SALMON, WHITE FISH, EEL, AND SHRIMP

NIGIRI COMBO SPECIAL----- \$9.50

6 PCS SUSHI ANY KIND (IKURA ADD \$1 /PC)

SUSHI COMBO FOR 1----- \$11.50

5 PCS SUSHI (TUNA, SALMON, WHITE FISH, SHRIMP, EEL)
AND CALIFORNIA ROLL

SUSHI COMBO FOR 2----- \$19.95

10 PCS SUSHI ☆COME WITH 2 SIDE

(2-TUNA, 2-SALMON, 2-WHITE FISH, 2-SHRIMP,2-EEL)
CALIFORNIA ROLL & SPICY TUNA ROLL

CHIRASHI SMALL----- \$8.50

1 PCS EACH OF TUNA, SALMON, WHITE FISH, EEL,
MASAGO, TAMAGO AND IMITATION CRAB ON TOP OF
SUSHI RICE

CHIRASHI REGULAR----- \$16.50

2 PCS EACH OF TUNA, SALMON, WHITE FISH, EEL, SHRIMP,
TAMAGO, AND IMITATION CRAB, ON TOP OF SUSHI RICE.

SASAYA SPECIAL COMBINATIONS

SIDE : GREEN SALAD, SEAWEEED SALAD (SMALL),
MISO SOUP, OR SOFT DRINK (ANY KIND LESS THAN \$1)

SINGLE----- \$17.95

5 PCS SUSHI, & 6 PCS SASHIMI AND CALIFORNIA ROLL

☆COME WITH 1 SIDE *NO SUBSTITUTION*

DOUBLE----- \$29.95

10 PCS SUSHI, 12 PCS SASHIMI,
CALIFORNIA ROLL & SPICY TUNA ROLL

☆COME WITH 2 SIDE *NO SUBSTITUTION*

✦ VEGETARIAN * COOKED

MEDIUM ROLL

*CALIFORNIA (I/O)-----\$3.75

IMITATION CRAB, AVOCADO,CUCUMBER

SALMON CALIFORNIA (I/O)----- \$6.50

SALMON, AVOCADO, CUCUMBER

TUNA CALIFORNIA (I/O)----- \$6.50

TUNA, AVOCADO, CUCUMBER

✦VEGETABLE ROLL (I/O)----- \$5.00

CARROT, AVOCADO, CUCUMBER, KANPYO

✦SALAD ROLL (I/O)----- \$5.00

LETTUCE, CUCUMBER, AVOCADO, TOMATO,
CARROT W/GINGER DRESSING

✦AKEBONO ROLL (I/O)----- \$6.50

JAPANESE PICKLED BURDOCK, CELERY,
AVOCADO, CUCUMBER, SHIITAKE MUSHROOM

JB (I/O)----- \$6.50

SALMON, CREAM CHEESE, SCALLION

SPICY TUNA (I/O)----- \$6.50

TUNA, CUCUMBER, SCALLION W/KIMCHEE SAUCE

TUNA CRUNCH ROLL (I/O)----- \$6.50

TUNA, CUCUMBER, TEMPURA CRUNCH W/EEL SAUCE

SUNRISE (I/O)----- \$7.50

TUNA, SALMON, CUCUMBER, MASAGO,
SHIBAZUKE, CARROT W/WASABI SEASONING

HAMACHI ROLL (I/O)----- \$7.50

HAMACHI (JAPANESE YELLOW TAIL) AND SCALLION

RAINBOW (I/O)----- \$7.50

FISH (TUNA&SALMON) ON TOP OF CALIFORNIA ROLL

*DYNAMITE----- \$6.50

IMITATION CRAB, TAMAGO, MIXED W/ MAYO

*CHICKEN KATSU (I/O)----- \$6.50

FRIED CHICKEN, AVOCADO, CUCUMBER
W/ SPICY MAYO & EEL SAUCE

*FISH KATSU (I/O)----- \$6.50

FRIED FISH, AVOCADO, CUCUMBER
W/ SPICY MAYO & EEL SAUCE

*SHRIMP KATSU (I/O)----- \$6.50

FRIED SHRIMP, AVOCADO, CUCUMBER
W/ SPICY MAYO & EEL SAUCE

*EEL & CUCUMBER (I/O)----- \$7.00

EEL , CUCUMBER. W/ EEL SAUCE

*DREAM----- \$7.00

EEL,TAMAGO,AVOCADO,CUCUMBER, W/EEL SAUCE

*GATEWAY----- \$7.50

EEL, CUCUMBER, CREAM CHEESE, WRAPPED
WITH SEAWEEED AND RICE PAPER W/ EEL SAUCE

*CS ROLL (I/O)----- \$7.50

COOKED SALMON, CREAM CHEESE, MASAGO,
CUCUMBER, SCALLION W/ EEL SAUCE

*CT ROLL (I/O)----- \$7.50

COOKED TUNA MIXED MAYO, W/ CELERY, MASAGO

*EEL CINNABON ROLL (I/O)----- \$7.50

EEL, CREAM CHEESE, TEMPURA CRUNCH,
CINNAMON W/ EEL SAUCE

*CRAZY (I/O)----- \$7.50

EEL, SCALLIONS, AVOCADO, ASPARAGUS
W/ EEL SAUCE

*ISLAND (I/O)----- \$8.50

FRIED SHRIMP, EEL, CREAM CHEESE,
AVOCADO ON TOP W/ EEL SAUCE

*BALTIMORE ROLL----- \$8.50

CRAB MEAT MIX WITH MAYO, TEMPURA CRUNCH,
AVOCADO,MASAGO W/ EEL SAUCE

*DANCING EEL (I/O)----- \$8.50

EEL ON TOP OF CALIFORNIA ROLL

HOUSE SPECIAL

ARUGULA ROLL----- \$11.00

TUNA, ARUGULA, ASPARAGUS, CUCUMBER, CELERY,
CREAM CHEESE, GLAZED BALSAMIC, EVOO
FRESH LEMON JUICE, WRAPPED W/ PINK SOY PAPER

*VOLCANO (I/O)----- \$9.00

IMITATION CRAB, TAMAGO, MIXED W/ MAYO
ON TOP OF CALIFORNIA ROLL

*SUPER VOLCANO (I/O)----- \$13.00

REAL CRAB MEAT W/MAYO & TEMPURA CRUNCH
ON TOP OF ROLL (AVOCADO, MASAGO, CUCUMBER)
W/ SPICY MAYO & EEL SAUCE

*SPIDER (I/O) (HALF 6 PCS)----- \$7.00

(I/O) (FULL 10 PCS)----- \$13.00

FRIED SOFT SHELL CRAB, AVOCADO, ASPARAGUS
W/SPICY MAYO & EEL SAUCE

*FUTOMAKI (HALF 5 PCS)----- \$6.00

(FULL 10 PCS)----- \$11.50

TAMAGO, KANPYO, CUCUMBER, IMITATION CRAB,
AVOCADO, MASAGO, ASPARAGUS